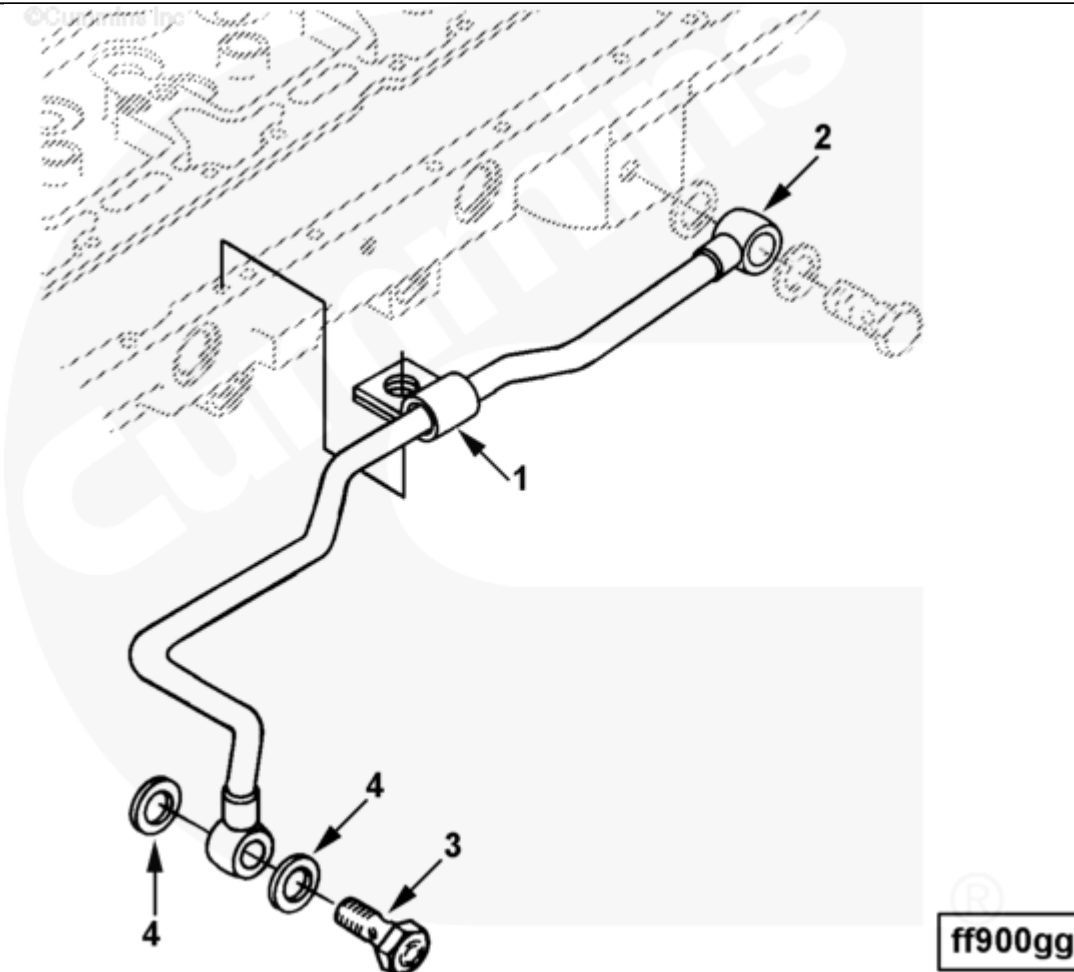




Parts Catalog - Option Detail

Electronic Parts Catalog - Option Detail				
Option	Group	Graphic	Film Card	Date
FF9713	06.03	ff900gg	Z	31-MAY-96
Engines	6C8.3, C GAS PLUS CM556, G8.3, G8.3 CM558, GTA8.3 CM558, ISC CM2150, ISC CM554, ISC CM850, ISC8.3 CM2250, ISC8.3 G CM2180 C101, ISL CM2150, ISL CM554, ISL CM850, ISL G CM2180, ISL8.9 CM2150 L110, ISL8.9 CM2880 L112, ISL9 CM2150 SN, ISL9 CM2250, ISL9 CM2350 L101, ISL9 CM2350 L111, ISLE4 CM850, L GAS PLUS CM556, L8.9, L8.9 L121, L8.9G CMOH2.0 L125B, L9 CM2350 L116B, L9 CM2350 L119B, L9 CM2350 L120C, L9 CM2350 L123B, L9.3 L105, L9.5 L117, L9N CM2380 L124B, QSC8.3 CM2250, QSC8.3 CM2880 C102, QSC8.3 CM554, QSC8.3 CM850(CM2850), QSL9 CM2250, QSL9 CM2250 L115, QSL9 CM2350 L102, QSL9 CM2350 L107, QSL9 CM2350 L118, QSL9 CM2350 L122, QSL9 CM554, QSL9 CM850(CM2850), QSL9 G CM558, QSL9 M CM2250 L106, QSL9.3 CM2880 L113			



[SMALL](#) | [MEDIUM](#) | [LARGE](#)

Cart	Ref No	Part Number	Part Description	Required	Remarks
View My Cart					
		FF9713	Fuel Inlet Tube		

					Family: C Series
					Pump Mfg/Model:
					Bosch A
					Intake Cover Flange Thickness
					(mm): 11
					Tube Material: Steel
					Boost Control Provision:
					Without
					Mounting Location: Fuel Pump
					Side
					Structure Code: 02 EBM
					Cylinders: 6
					3282059 can be used in place
					of 3914711 at DEP.
<input type="checkbox"/>	1	3914711	Clip	1	
<input type="checkbox"/>	2	3912923	Fuel Supply Tube	1	
<input type="checkbox"/>	3	3924725	Banjo Connector Screw	1	M14 X 1.50 X 26.
<input type="checkbox"/>	4	3918192	Sealing Washer	2	M14